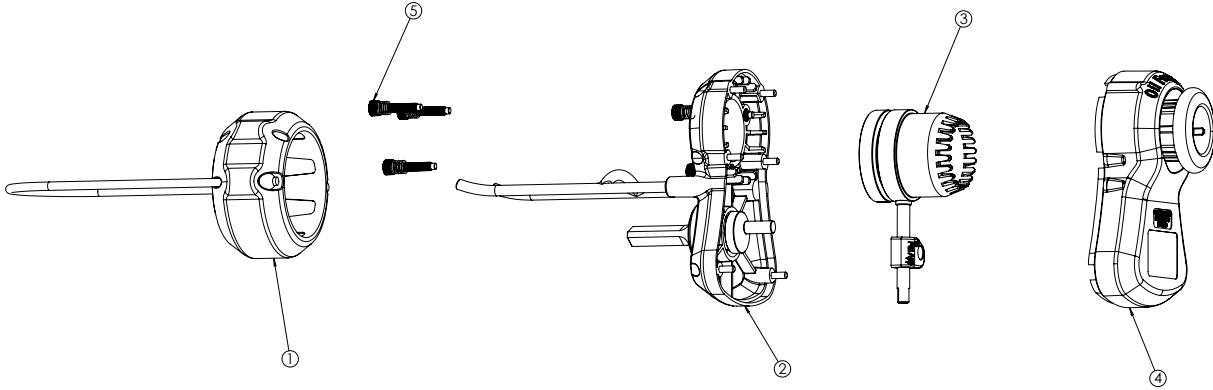


PARTS LIST

Tailwell

Product Code: **214 260**

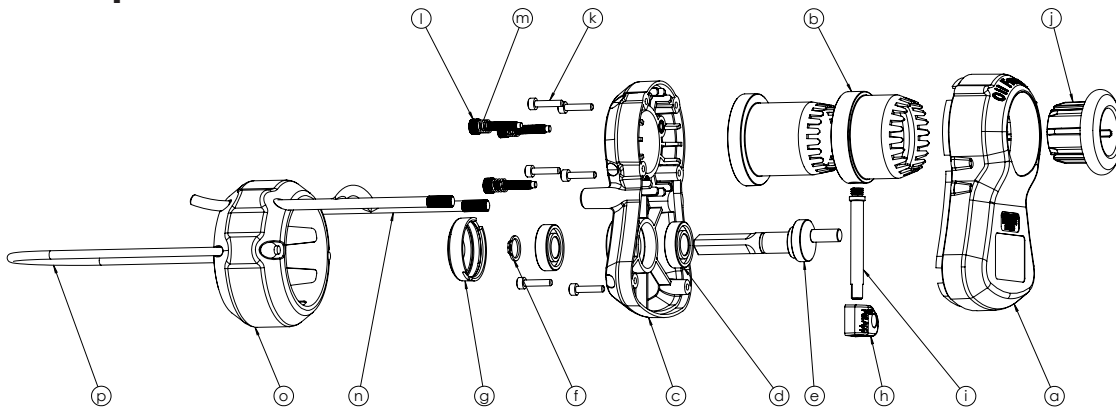
Replacement Parts



ITEM	SHOOF CODE	DESCRIPTION
1	218 402	Tailwell2 Drill Sleeve & Cord
2	217 462	Tailwell2 Back Case Assy
3	215 206	Tailwell2 Cutter Set Assy
4	217 463	Tailwell2 Front Case Assy
5	219 657	Tailwell2 Adjust Screws & Springs Set

SHOOF CODE	ACCESSORIES
215 321	Tailwell2 Rotator Bearing Block x2
215 220	Tailwell2 Neck Strap
213 945	Tailwell Honing Paste
217 359	Tailwell Cutter Lubricant 300mL
214 138	Tailwell Cutter Lubricant 30mL

Individual Components



ITEM	DESCRIPTION	QTY
a	Top Case	1
b	Cutter Set	1
c	Bottom Case	1
d	Driveshaft Bearing	2
e	Driveshaft	1
f	Circlip	1
g	Circlip Cap	1
h	Rotator Bearing	1

ITEM	DESCRIPTION	QTY
i	Rotator Arm (not removable)	1
j	Cutter Protector Cap	1
k	Case Screw	6
l	Adjuster Screw	3
m	Adjuster Spring	3
n	Torque Arm	1
o	Drill Sleeve	1
p	Bungee Cord	1

Contact the manufacturer to find your local distributor

0800-800-801 (Free within New Zealand)

+64 7827-3902 (International customers, New Zealand business hours only)

Email: info@shoof.co.nz

Website: www.shoof.co.nz

